

Chapter Contents

Outside Plant Products

COMLINE® Wall-Mount Enclosures and Accessories

COMLINE®, Type 4X	2
Mounting Panel	4
Solar Shield Top	4
Rack Angles	5
Door Stop Kit	5
Handle Options	5
Cage Nut Package	6
Screw Package	6
Pole-Mount Kit	6

COMLINE® OSP Wall-Mount Cabinet Packages and Accessories

COMLINE® OSP Package, Type 4X	7
Handle Options	10
Rack Angles	10
Vertical Pole-Mount Channel	10
Wood Panel	10
Gland Plate	10
Plinth Base	10
Ground Buss	10
Cage Nut Package	11
Screw Package	11
Mounting Bracket Kits	11

Fiber Optic Cabinets

FTTX Fiber Optic Cabinet Package, Type 4X	12
Fiber Management Spool	15
Splitter Chassis	15
Fiber Optic Cabinet Pole-Mount Kit	15
Cage Nut Package	16
Screw Package	16

OSP Cabinets

OPAL Pad-Mount DSL Cabinet	17
COMLINE® Vertical Mount Cabinet	20

COMLINE® Wall-Mount Enclosures and Accessories

COMLINE®, Type 4X



Industry Standards

UL 508A Listed; Type 3, 3R, 4, 4X, 12; File No. E61997

CSA File No. 42186: Type 3, 3R, 4, 4X, 12
 NEMA/EEMAC Type 3, 3R, 4, 4X, 12
 IEC 60529, IP66
 Designed to meet NEBS™ -Telcordia GR487, GR63, IEC 48D
 Meets Type 3RX requirements
 NEBS is a trademark of Telcordia

Application

Lightweight, corrosion-resistant COMLINE® aluminum wall-mount enclosures provide long-lasting protection for housing electrical components in extreme outdoor environments. These customizable enclosures employ a foam-in-place gasket for a tight seal and are ideal for rooftop or tower-mounted telecommunications applications.

For OSP questions, quotes and assistance, email: osp@hoffmanonline.com

Features

- Foam-in-place gasket
- 1- or 3-point latching (screwdriver slot), depending on door size
- Optional door stop/wind latch holds door in place during service
- Two door/hinge styles available:
 - Easily removable door with hidden hinge and retained hinge pin. Maximum door load 50 lb. (22.7 kg)
 - Heavy-duty continuous hinge door. Maximum door load 150 lb. (68.0 kg)
- Optional solar shield top

Specifications

- Type 5052-H32 aluminum: covers are .080-in. or .100-in. thick depending on size; bodies are .080-in. thick
- Seams continuously welded and ground smooth for a finished appearance
- Bonding provision on door; ground stud on body

Finish

RAL 7035 textured light-gray polyester powder finish inside and out.

Accessories

See also *Accessories* chapter.
 Door Stop Kit
 Handle Options
 Mounting Panel
 Pole Mounting Kit
 Rack Angles
 Solar Shield Top

Modification and Customization

Hoffman excels at modifying and customizing products to your specifications. Contact your local Hoffman sales office or distributor for complete information.

Bulletin: DCOM

Standard Product Hidden Hinge

Catalog Number	AxBxCmm	AxBxCin.	Latch Points	Door Thickness (mm)	Door Thickness (in.)	Std. Pkg. (lb.)
ECL303015	300 x 300 x 150	11.80 x 11.80 x 5.90	1	2	.08	9.0
ECL403015	400 x 300 x 150	15.70 x 11.80 x 5.90	1	2	.08	10.0
ECL404015	400 x 400 x 150	15.70 x 15.70 x 5.90	1	2	.08	12.0
ECL404020	400 x 400 x 200	15.70 x 15.70 x 7.90	1	2	.08	13.0
ECL504020	500 x 400 x 200	19.70 x 15.70 x 7.90	1	2	.08	15.0
ECL505020	500 x 500 x 200	19.70 x 19.70 x 7.90	1	2	.08	17.0
ECL605020	600 x 500 x 200	23.60 x 19.70 x 7.90	3	2.5	.10	19.0
ECL606020	600 x 600 x 200	23.60 x 23.60 x 7.90	3	2.5	.10	23.0
ECL806020	800 x 600 x 200	31.50 x 23.60 x 7.90	3	2.5	.10	27.0
ECL1006030	1000 x 600 x 300	39.40 x 23.60 x 11.80	3	2.5	.10	35.0
ECL1209030	1200 x 900 x 300	47.20 x 35.40 x 11.80	3	2.5	.10	55.0
ECL1509030	1500 x 900 x 300	59.10 x 35.40 x 11.80	3	2.5	.10	78.0

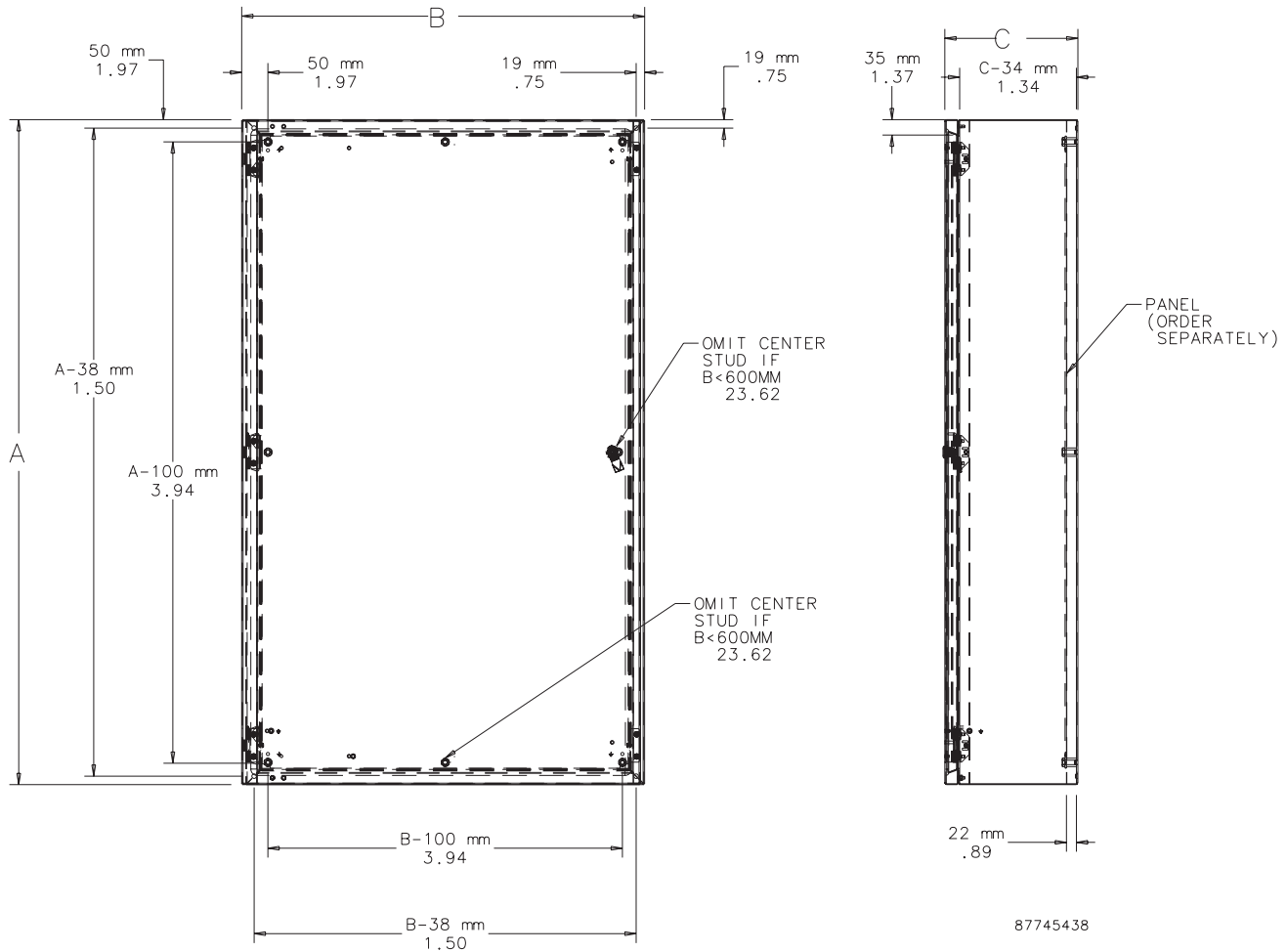
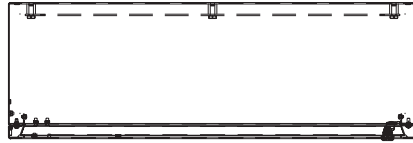
ECL1209030, ECL1209030CH, ECL1509030 and ECL1509030CH include vertical door stiffener. Additional door stop required to meet NEBS-Telcordia 487 door restrainer requirements.

All the above enclosures must have mounting feet installed to meet UL Type 3, UL Type 4 and UL Type 4X ratings.

COMLINE® Wall-Mount Enclosures and Accessories

 Standard Product **Continuous Hinge**

Catalog Number	AxBxC mm	AxBxC in.	Latch Points	Door Thickness (mm)	Door Thickness (in.)	Std. Pkg. (lb.)
ECL303015CH	300 x 300 x 150	11.80 x 11.80 x 5.90	1	2	.08	9.0
ECL403015CH	400 x 300 x 150	15.70 x 11.80 x 5.90	1	2	.08	10.0
ECL404015CH	400 x 400 x 150	15.70 x 15.70 x 5.90	1	2	.08	12.0
ECL404020CH	400 x 400 x 200	15.70 x 15.70 x 7.90	1	2	.08	13.0
ECL504020CH	500 x 400 x 200	19.70 x 15.70 x 7.90	1	2	.08	15.0
ECL505020CH	500 x 500 x 200	19.70 x 19.70 x 7.90	1	2	.08	17.0
ECL605020CH	600 x 500 x 200	23.60 x 19.70 x 7.90	3	2.5	.10	19.0
ECL606020CH	600 x 600 x 200	23.60 x 23.60 x 7.90	3	2.5	.10	23.0
ECL806020CH	800 x 600 x 200	31.50 x 23.60 x 7.90	3	2.5	.10	27.0
ECL1006030CH	1000 x 600 x 300	39.40 x 23.60 x 11.80	3	2.5	.10	35.0
ECL1209030CH	1200 x 900 x 300	47.20 x 35.40 x 11.80	3	2.5	.10	55.0
ECL1509030CH	1500 x 900 x 300	59.10 x 35.40 x 11.80	3	2.5	.10	78.0



COMLINE® Wall-Mount Enclosures and Accessories

Solar Shield Top



Solar Shield Top provides a vented area on top of the enclosure to absorb solar heating effects and help keep enclosure cool. Also provides a drip shield to keep liquids away from the door sealing surface. Aluminum with RAL 7035 textured light-gray finish inside and out. Maintains enclosure rating. Includes mounting hardware.

Shielding Effectiveness

Hoffman's research of the effects of solar radiation on enclosures has shown the positive benefits of utilizing shielding to decrease temperature rise. Shielding has been found to be an effective, low-cost method of reducing solar heat gain in outdoor electrical/electronic applications.

Test results indicate that a top-mounted solar shield provides a 25 percent reduction in temperature rise due to solar heat load.

Bulletin: DCOMY

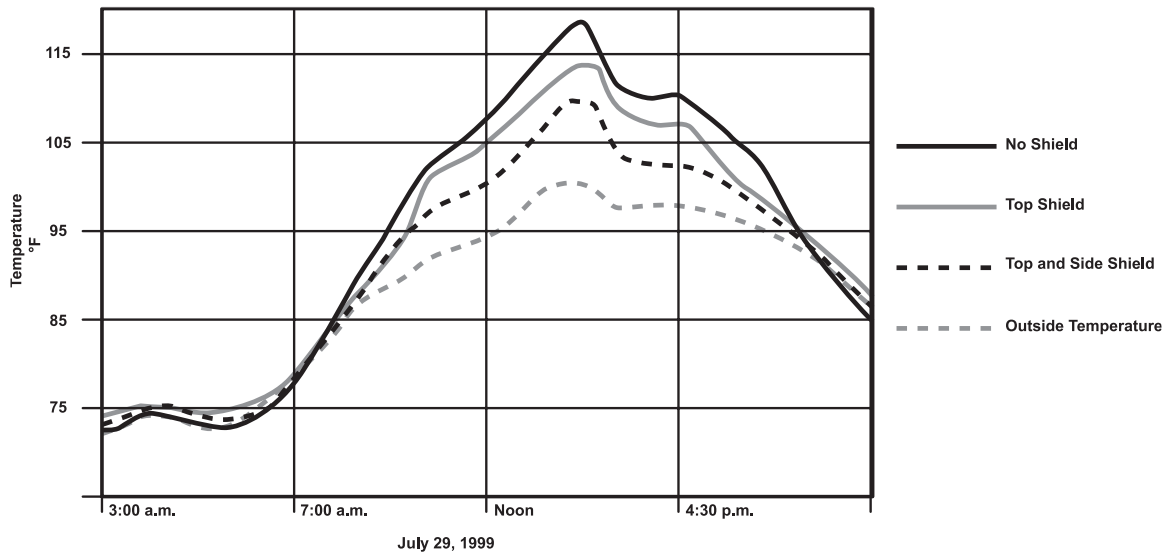
Catalog Number	Fits B x C
ESSH3015	300 x 150
ESSH4015	400 x 150
ESSH4020	400 x 200
ESSH5020	500 x 200
ESSH6020	600 x 200
ESSH6030	600 x 300
ESSH9030	900 x 300

Unshielded vs. Shielded

Enclosure Type	Temperature (°F)	Temp. Reduction (%)
Unshielded	118.6	—
Top shield only	114.0	25
Top and side shields	110.1	46

Air Temperature = 100.2 F

Enclosure color is light-gray (RAL 7035)



The results of the test show the enclosure with top and side shields to have approximately a 46% reduction in temperature compared to the unshielded enclosure. Hoffman offers top shields as an accessory for Hoffman COMLINE® Wall-Mount Enclosures. The reduction in temperature is approximately 25% with the solar shield top only.

Mounting Panel



Provides a mounting surface in the back of the COMLINE® Enclosure for surface mount components. Mill finish aluminum.

Bulletin: DCOMY

Catalog Number	Fits A x B	Height (mm)	Height (in.)	Width (mm)	Width (in.)
EP3030AL	300 x 300	226	8.90	226	8.90
EP4030AL	400 x 300	326	12.84	226	8.90
EP4040AL	400 x 400	326	12.84	326	12.94
EP5040AL	500 x 400	426	16.78	326	12.94
EP5050AL	500 x 500	426	16.78	426	16.78
EP6050AL	600 x 500	526	20.71	426	16.78
EP6060AL	600 x 600	526	20.71	526	20.71
EP8060AL	800 x 600	726	28.59	526	20.71
EP10060AL	1000 x 600	926	36.46	526	20.71
EP12090AL	1200 x 900	1126	44.33	826	32.52
EP15090AL	1500 x 900	1426	56.15	826	32.52

COMLINE® Wall-Mount Enclosures and Accessories

Rack Angles



Rack Angles allow for mounting 19-in. rack equipment in 600-mm wide enclosures. Plated 14 gauge steel with .281-in. (7-mm) diameter holes (through-hole type). Twenty M5 screws and 20 clip nuts included for mounting rack angles to enclosure and for mounting equipment to rack angles.

Bulletin: DCOMY

Catalog Number	Description	Fits A (mm)	Fits A (in.)
ERA196TH	Rack Angles	600	23.62
ERA198TH	Rack Angles	800	31.50
ERA1910TH	Rack Angles	1000	39.37

Door Stop Kit



Self-actuating door stop kit secures doors in the open position. Mounts to top or bottom of door. Stainless steel and aluminum material. Mounting hardware included.

Bulletin: DCOMY

Catalog Number	Description
EDSK	Door Stop Kit

Handle Options



Handle Options can be padlocked for added security. Kit includes handle and mounting hardware. Install using existing enclosure cam.

Bulletin: A80, DCOMY, DWS12

Catalog Number	Description
ELHP	Padlocking L-Handle
EPL4	Padlocking quarter-turn with key
DL36	Locking wing nut with 2 keys, silver finish
PTL36B	Keylocking wing knob, black finish

COMLINE® Wall-Mount Enclosures and Accessories

Cage Nut Package



Twenty plated clip nuts fit all rack-mounting angles with .281-in. (7-mm) diameter holes (through-hole type).

Bulletin: DACCY, P20

Catalog Number	Color	Description	Pkg. Qty.
PM5CN	Silver	M5 cage nut	20
PM6CN	Silver	M6 cage nut	20
PM6CN250	Silver	M6 cage nut	250
P1032CN	Silver	10-32 cage nut	20
P1032CN250	Silver	10-32 cage nut	250
P1224CN	Silver	12-24 cage nut	20
P1224CN250	Silver	12-24 cage nut	250

Screw Package



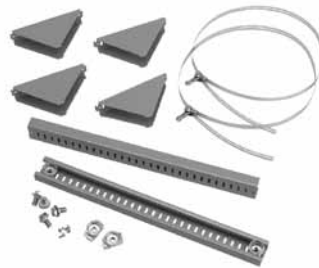
Screws attach rack panels and rack-mounted equipment to rack-mounting angles.

Bulletin: A80, DACCY, X20

Catalog Number	Color	Description	Pkg. Qty.
ES1224	Silver	12-24 x 5/8 in. combo head	20
ES1224250	Silver	12-24 x 5/8 in. combo head	250
ES1224B	Black	12-24 x 5/8 in. combo head	20
ES1224B250	Black	12-24 x 5/8 in. combo head	250
ASM5	Silver	M5 x 20 mm Combo Head	20
ASM6	Silver	M6 x 16 mm combo head	20
ASM5T	Silver	M5 x 12 mm thread-forming Phillips hex head screws	20
ASM6250	Silver	M6 x 16 mm combo head	250
AS1032	Silver	10-32 x 5/8 in. combo head	20
AS1032250	Silver	10-32 x 5/8 in. combo head	250
AS1032B	Black	10-32 x 5/8 in. combo head	20

Use ASM5T on PROLINE® frame or Net Series extruded holes.

Pole-Mount Kit



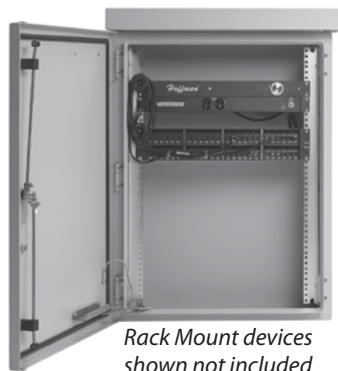
Use to mount CONCEPT®, Networking and wall-mount enclosures to poles of various sizes and shapes. Simply attach the plated steel channel bar to the mounting holes at the back of the enclosure and wrap the stainless steel strap around the pole and through the bar. Kit includes two mounting channels, two straps suitable for 3-in. (76-mm) to 12-in. (305-mm) diameter pole and mounting hardware.

Bulletin: CWY

Catalog Number	Fits Enclosure (in.)	Fits Enclosure (mm)
CPMK12	when B = 12.00	when B = 305
CPMK16	when B = 16.00	when B = 406
CPMK20	when B = 20.00	when B = 508
CPMK24	when B = 24.00	when B = 610
CPMK30	when B = 30.00	when B = 762

COMLINE® OSP Wall-Mount Cabinet Packages and Accessories

COMLINE® OSP Package, Type 4X



Industry Standards

UL 508A Listed; Type 3, 3R, 4, 4X, 12; File No. E61997

CSA: Type 3, 3R, 4, 4X, 12
 NEMA/EEMAC Type 3, 3R, 4, 4X, 12
 EC60529, IP66

Designed to meet Telcordia NEBS™ GR-487, GR-63 and IEC 48D
 EIA 310-D with 19 in. spacing for rack equipment
 Meets BICSI TDM, Tenth Edition, Chapter 7, Telecommunication Enclosures (TE)
 Cabinet is RoHS compliant
 NEBS is a trademark of Telcordia

Application

A complete, off-the-shelf package for 19-in. rack equipment, lightweight COMLINE® OSP Wall-Mount Cabinets are constructed of corrosion-resistant aluminum with a foam-in-place gasket that secures and protects sensitive equipment in outdoor applications. Available with or without back-up battery compartment.

For ordering information, e-mail:
OSP@hoffmanonline.com.

Features

- Solar shield helps keep enclosure interior cool when cabinet is installed outdoors and directs liquids away from cabinet opening; can be removed for indoor installations
- Foam-in-place gasket provides environmental seal
- Padlocking L-Handle provides a tight, secure door seal
- Doorstop holds door in place during service for easier and faster maintenance

- Heavy-duty hinged door is easily removed to facilitate equipment installation and removal. Maximum door load 50 lb. (22.7 kg)
- Rack angles adjustable front-to-rear of cabinet
- Gland plates available with cutouts that fit Hoffman T15, T20 and CR23 air conditioners and Hoffman XR20 and XR29 heat exchangers (Indoor use only)
- Radius corners on cabinet eliminate sharp edges
- Stainless steel fasteners resist corrosion to maintain professional appearance
- Pole mounting kits available for all sizes
- Pad mounting plinth available for 600mm deep cabinets
- Battery compartment has front vented captivated door.
- **Note – SR20 and SR29 are for indoor use only.**

Specifications

- Rack angles have EIA universal standard square hole spacing
- Eighth-inch thick, depending on cabinet size
- Seams continuously welded and ground smooth for a finished appearance
- Body includes studs for ground bar and rear mounting studs for wood panel

Finish

RAL 7035 light-textured low-gloss polyester urethane powder coating over iron-phosphate-treated surface. Custom finishes available: consult your local Hoffman sales office.

Bulletin: DCOM

Standard Product COMLINE Wall-Mount Enclosure Packages

Catalog Number	AxBxC in.	AxBxC mm	P (in.)	P (mm)	Rack Units
ECL606050P	23.62 x 23.62 x 19.68	600 x 600 x 500	17.47	444	12
ECL906050P	35.43 x 23.62 x 19.68	900 x 600 x 500	30.47	774	18
ECL907060P	35.43 x 27.56 x 23.62	900 x 700 x 600	30.47	774	18
ECL1207060P	47.24 x 27.56 x 23.62	1200 x 700 x 600	30.47	774	25

Standard Product FTTX with Battery Compartment

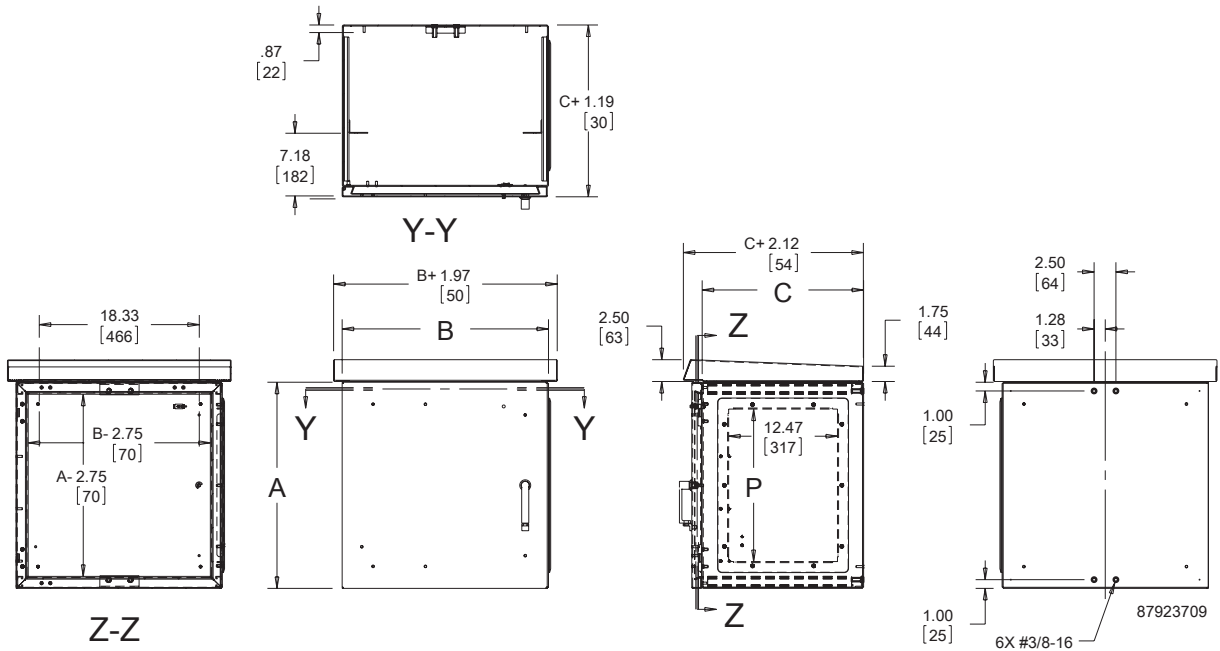
Catalog Number	AxBxC in.	AxBxC mm	Rack Units
ECL606050PB	38.62 x 23.62 x 19.69	981 x 600 x 500	12
ECL906050PB	50.43 x 23.62 x 19.69	1281 x 600 x 500	18
ECL907060PB	50.43 x 27.56 x 23.62	1281 x 700 x 600	18
ECL1207060PB	62.24 x 27.56 x 23.62	1581 x 700 x 600	25

Accessory Compatibility

Catalog Numbers	ECL606050P/B	ECL906050P/B	ECL907060P/B	ECL1207060P/B
GLAND PLATES				
EGPS1	•			
EGPS2		•		

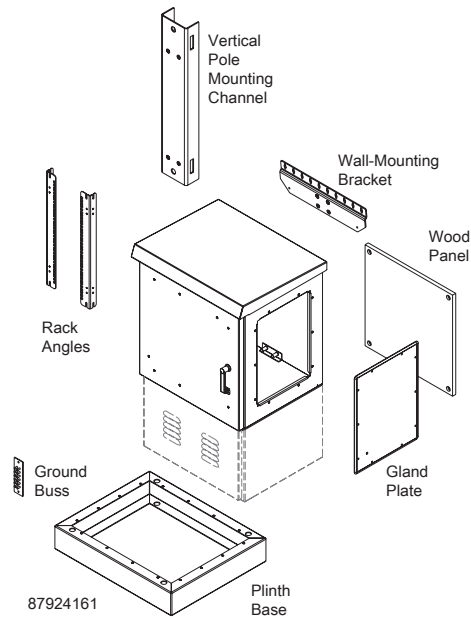
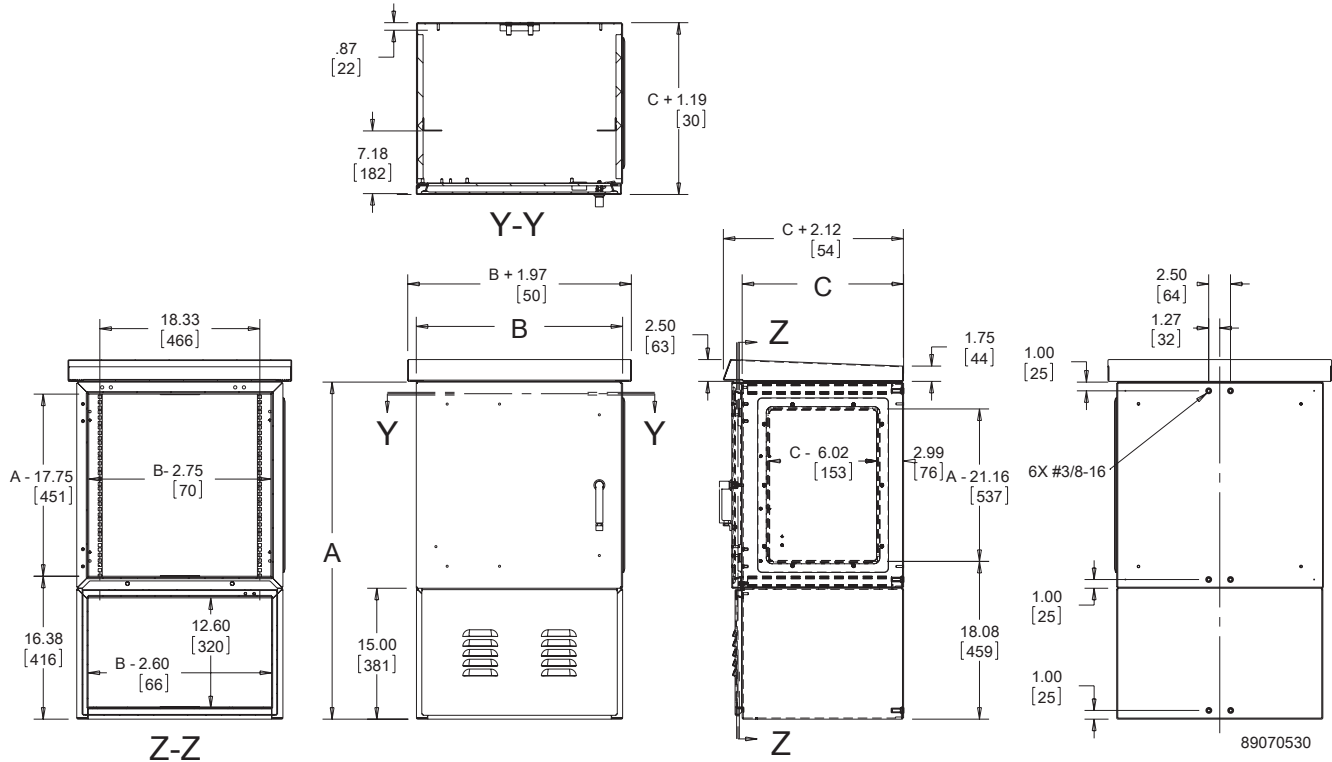
COMLINE® OSP Wall-Mount Cabinet Packages and Accessories

Catalog Numbers	ECL606050P/B	ECL906050P/B	ECL907060P/B	ECL1207060P/B
EGPACT15	.			
EGPACT20
EGPACCR15
EGPHX20
EGPHX29
POLE MOUNT CHANNELS				
EPMC6	.			
EPMC9	.	.	.	
EPMC12				.
PLINTH BASE				
EPL7060			.	.
WOOD PANELS				
E60P60W	.			
E90P60W	.	.		
E90P7W			.	
E120P70W				.
RACK ANGLES				
ERA196S	.			
ERA199S	.	.		
ERA19239S			.	
ERA192312S				.

COMLINE OSP Package Without Battery Compartment


COMLINE® OSP Wall-Mount Cabinet Packages and Accessories

COMLINE OSP Package With Battery Compartment



COMLINE® OSP Wall-Mount Cabinet Packages and Accessories

Rack Angles

Rack Angles are made of 12 gauge, self-grounding plated steel and are grounded to the cabinet body through the mounting bolts. Square mounting holes meet EIA standard.

Package includes one pair.

Bulletin: DCOMY

Catalog Number	Rack Width	Rack Units	Use with Cabinet (Height x Width in mm)
ERA196S	19	12	600 x 600
ERA199S	19	18	900 x 600
ERA19239S	19 or 23	18	900 x 700
ERA192312S	19 or 23	25	1200 x 700

Vertical Pole-Mount Channel

Vertical Pole-Mount Channel facilitates pole-mounting the COMLINE® package. It includes the bracket and hardware to mount the channel to the cabinet. No drilling into cabinet required to install.

Bulletin: DCOMY

Catalog Number	Description	Use with Cabinet
EPMC6	Vertical Pole-Mount Channel 600	600-mm tall
EPMC9	Vertical Pole-Mount Channel 900	900-mm tall
EPMC12	Vertical Pole-Mount Channel 1200	1200-mm tall

Wood Panel

Wood Panels are made of 3/4-in. plywood, pre-cut and pre-drilled to install on panel mounting studs in the rear of the cabinet.

Bulletin: DCOMY

Catalog Number	Height x Width	Use with Cabinet (Height x Width)
E60P60W	524 x 524	600 x 600
E90P60W	824 x 524	900 x 600
E90P70W	824 x 624	900 x 700
E120P70W	1124 x 624	1200 x 700

Gland Plate

Gland Plates are made of .100-in.-thick aluminum, finished to match the cabinet. They include a factory-installed foam-in-place gasket, stainless steel hardware and grounding provision. The installed gland plate maintains the cabinet rating.

Package includes solid gland plate.

Bulletin: DCOMY

Catalog Number	Description	Nominal Height x Width (P x Q)
EGPS1	Solid small	506 x 381
EGPS2	Solid large	838 x 381
EGPACT15	AC cutout for T15	506 x 381
EGPACT20	AC cutout for T20	838 x 381
EGPACCR23	AC cutout for CR23	838 x 381
EGPHX20	Heat exchanger cutout for XR20	838 x 381
EGPHX29	Heat exchanger cutout for XR29	838 x 381

XR20 and XR29 indoor use only.

Plinth Base

The Plinth Base enables pad mounting and provides additional cable management space. It adds an additional 5.00-in. (127-mm) height to the cabinet. The base is made of aluminum painted RAL 7035 light gray.

Bulletin: DCOMY

Catalog Number	Description	Use with Cabinet (Width x Depth)
EPL7060	Plinth base	700 x 600

Ground Buss

This copper Ground Buss provides wiring tie points within the cabinet. Mounts on studs provided on cabinet side. Tie-point spacing is 3/4-in. pair-to-pair and 5/8-in. across each pair. Ground studs are 1/4-20 x .75-in. on 3/4-in. centers.

Bulletin: DCOMY

Catalog Number	Description
EGBB1	6-position, double-lug buss
EGBB2	12-position, double-lug buss

Handle Options



Handle Options can be padlocked for added security. Kit includes handle and mounting hardware. Install using existing enclosure cam.

Bulletin: A80, DCOMY, DWS12

Catalog Number	Description
ELHP	Padlocking L-Handle
EPL4	Padlocking quarter-turn with key
DL36	Locking wing nut with 2 keys, silver finish
PTL36B	Keylocking wing knob, black finish

COMLINE® OSP Wall-Mount Cabinet Packages and Accessories

Cage Nut Package



Twenty plated clip nuts fit all rack-mounting angles with .281-in. (7-mm) diameter holes (through-hole type).

Bulletin: DACCY, P20

Catalog Number	Color	Description	Pkg. Qty.
PM5CN	Silver	M5 cage nut	20
PM6CN	Silver	M6 cage nut	20
PM6CN250	Silver	M6 cage nut	250
P1032CN	Silver	10-32 cage nut	20
P1032CN250	Silver	10-32 cage nut	250
P1224CN	Silver	12-24 cage nut	20
P1224CN250	Silver	12-24 cage nut	250

Screw Package



Screws attach rack panels and rack-mounted equipment to rack-mounting angles.

Bulletin: A80, DACCY, X20

Catalog Number	Color	Description	Pkg. Qty.
ES1224	Silver	12-24 x 5/8 in. combo head	20
ES1224250	Silver	12-24 x 5/8 in. combo head	250
ES1224B	Black	12-24 x 5/8 in. combo head	20
ES1224B250	Black	12-24 x 5/8 in. combo head	250
ASM5	Silver	M5 x 20 mm Combo Head	20
ASM6	Silver	M6 x 16 mm combo head	20
ASM5T	Silver	M5 x 12 mm thread-forming Phillips hex head screws	20
ASM6250	Silver	M6 x 16 mm combo head	250
AS1032	Silver	10-32 x 5/8 in. combo head	20
AS1032250	Silver	10-32 x 5/8 in. combo head	250
AS1032B	Black	10-32 x 5/8 in. combo head	20

Use ASM5T on PROLINE® frame or Net Series extruded holes.

Mounting Bracket Kits



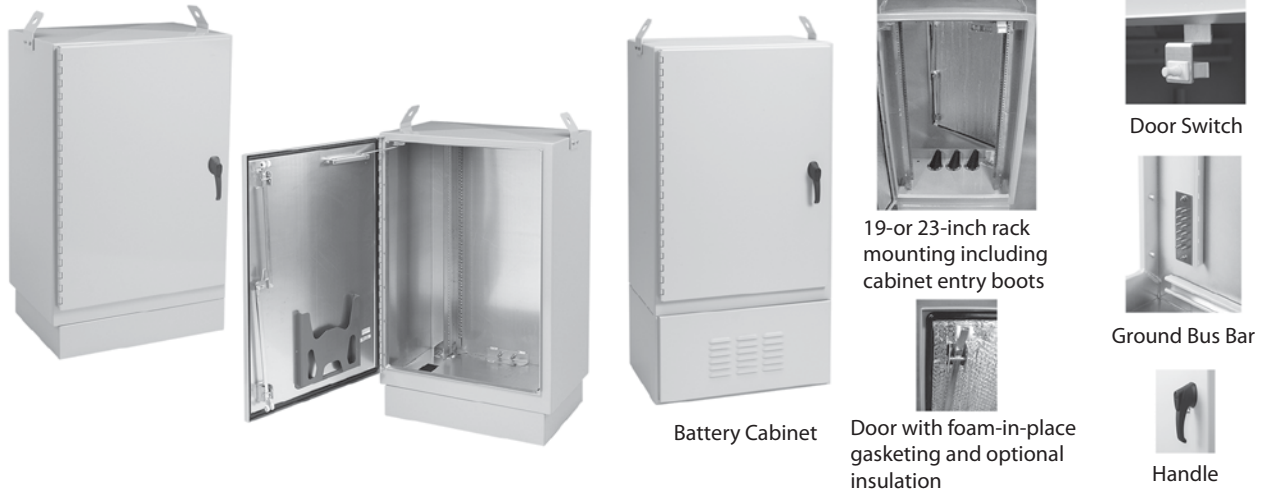
Mounting Bracket Kits are available in stainless steel or composite material. Kit includes 4 brackets and mounting hardware.

Bulletin: A80

Catalog Number	Description
CMFK	Steel
CMFKSS	Stainless Steel
CMTGFT	Composite

Fiber Optic Cabinets

FTTX Fiber Optic Cabinet Package, Type 4X



Industry Standards

UL 508A Listed; Type 3, 3R, 4, 4X, 12; File No. E61997

CSA: Type 3, 3R, 4, 4X, 12

NEMA/EEMAC Type 3, 3R, 4, 4X, 12

EC60529, IP66

Designed to meet Telcordia NEBS™ GR-487, GR-63 and IEC 48D

EIA 310-D with 19-in. spacing for rack equipment

Cabinet is RoHS compliant

NEBS™ is a trademark of Telcordia

Application

Pad-mounted FTTX welded aluminum enclosures provide long-lasting protection and manage fiber optic cable for broadband delivery in outdoor applications. Provided with or without back-up battery compartment.

For OSP questions, quotes and assistance, email: osp@hoffmanonline.com

Features

- Standard pitched roof promotes water runoff
- Available with either single- or dual-access doors on front and rear for convenient access
- Available with or without battery compartment
- 3-point latching mechanisms and padlocking handles on doors provide security
- Seamless foam-in-place gasket seals doors against moisture and dust
- Wind latch mechanisms on doors control door when open for equipment maintenance
- Removable lifting lugs (2) for easy installation
- Rack angles adjustable for 19-in. or 23-in. spacing without modifications
- Use clip nuts to mount equipment

- Cabinet top insulation helps prevent the formation of condensation and reduce solar gain inside cabinet. Cabinet side insulation is optional.
- Base of cabinet has a 5.00-in. (127-mm) high aluminum mounting plinth to allow for cable alignment
- Three pyramidal boots provided at base of cabinet for sealing various sizes of cables
- All fasteners are stainless steel to maintain professional appearance in severe outdoor climate conditions
- Grounding buss bar provided

Specifications

- Manufactured from Type 5052-H32 .125-in.-thick aluminum
- Seams continuously welded and ground smooth
- Heavy gauge continuous hinge

Finish

RAL 7035 light textured low gloss polyester powder paint over pretreated surfaces. Custom finishes available please contact your local Hoffman sales office.

Accessories

Fiber Management Spool
 Compact Cooling Fans
 Temperature Control Switches
 Light Package
 Screw Packages
 Fiber Optic Cabinet Pole-Mount Kit
 Compact and Mid-Size Heat Exchangers
 Type 3R, 12, 4 T4 Line Indoor/Outdoor Air Conditioners
 Electric Heaters

Bulletin: DTX

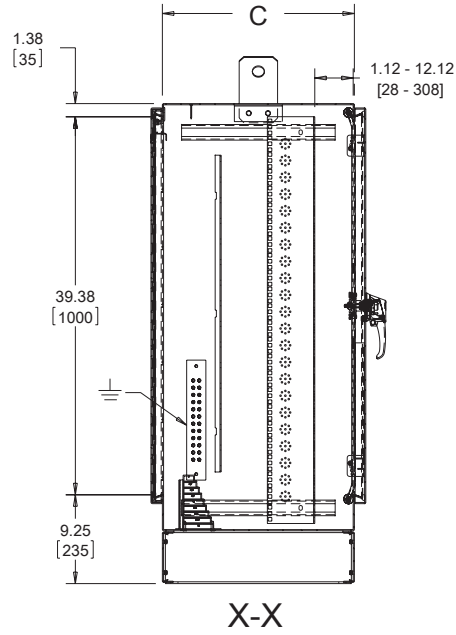
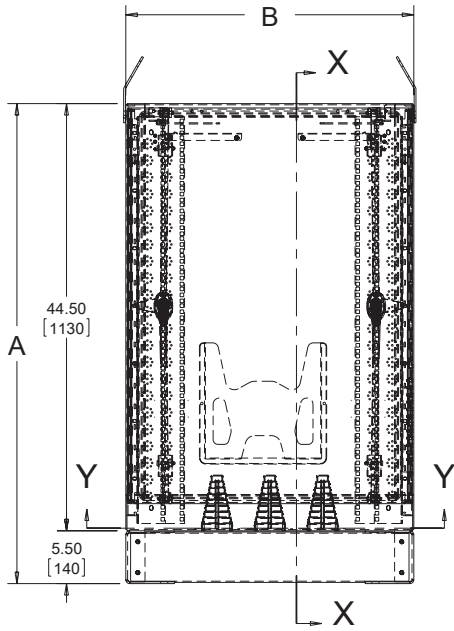
Standard Product FTTX Without Battery Compartment

Catalog Number	AxBxC in.	AxBxC mm	Rack Units	Description
T303020FTTX	30.00 x 30.00 x 20.00	762 x 762 x 508	10	Single-Access
T503020FTTX	50.00 x 30.00 x 20.00	1270 x 762 x 508	22	Single-Access
T303020FTTXDA	30.00 x 30.00 x 20.00	762 x 762 x 508	10	Dual-Access
T503020FTTXDA	50.00 x 30.00 x 20.00	1270 x 762 x 508	22	Dual-Access

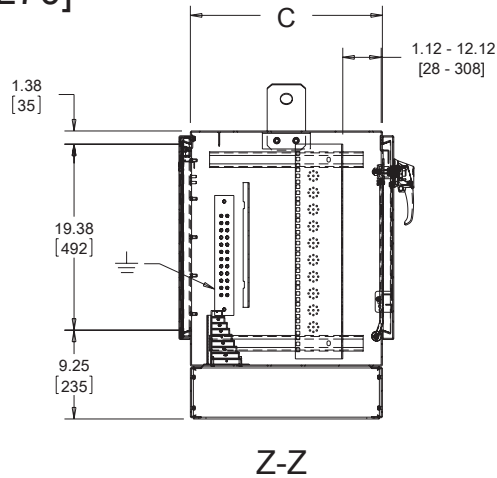
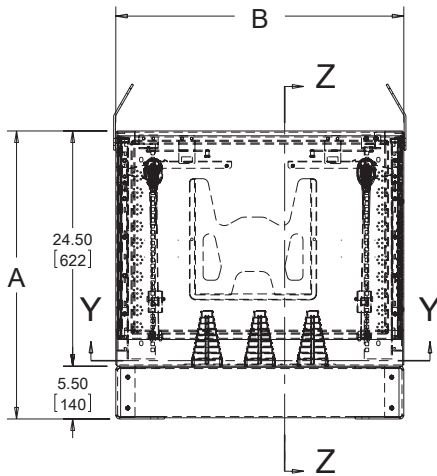
Standard Product FTTX With Battery Compartment

Catalog Number	AxBxC in.	AxBxC mm	Rack Units	Description
T503020FTTXB	59.49 x 30.00 x 23.27	1511 x 762 x 591	22	Single
T503028FTTXDAB	59.49 x 30.00 x 34.53	1511 x 762 x 877	22	Dual

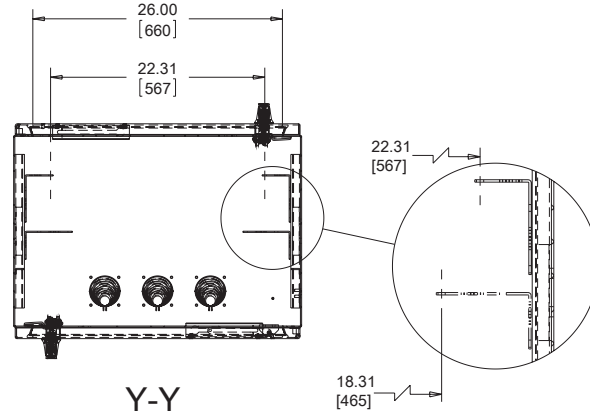
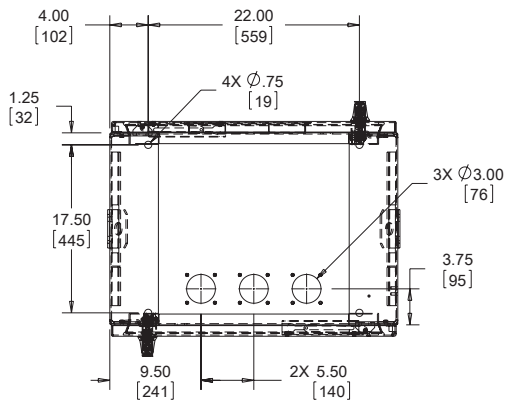
Fiber Optic Cabinets



A=50
[1270]



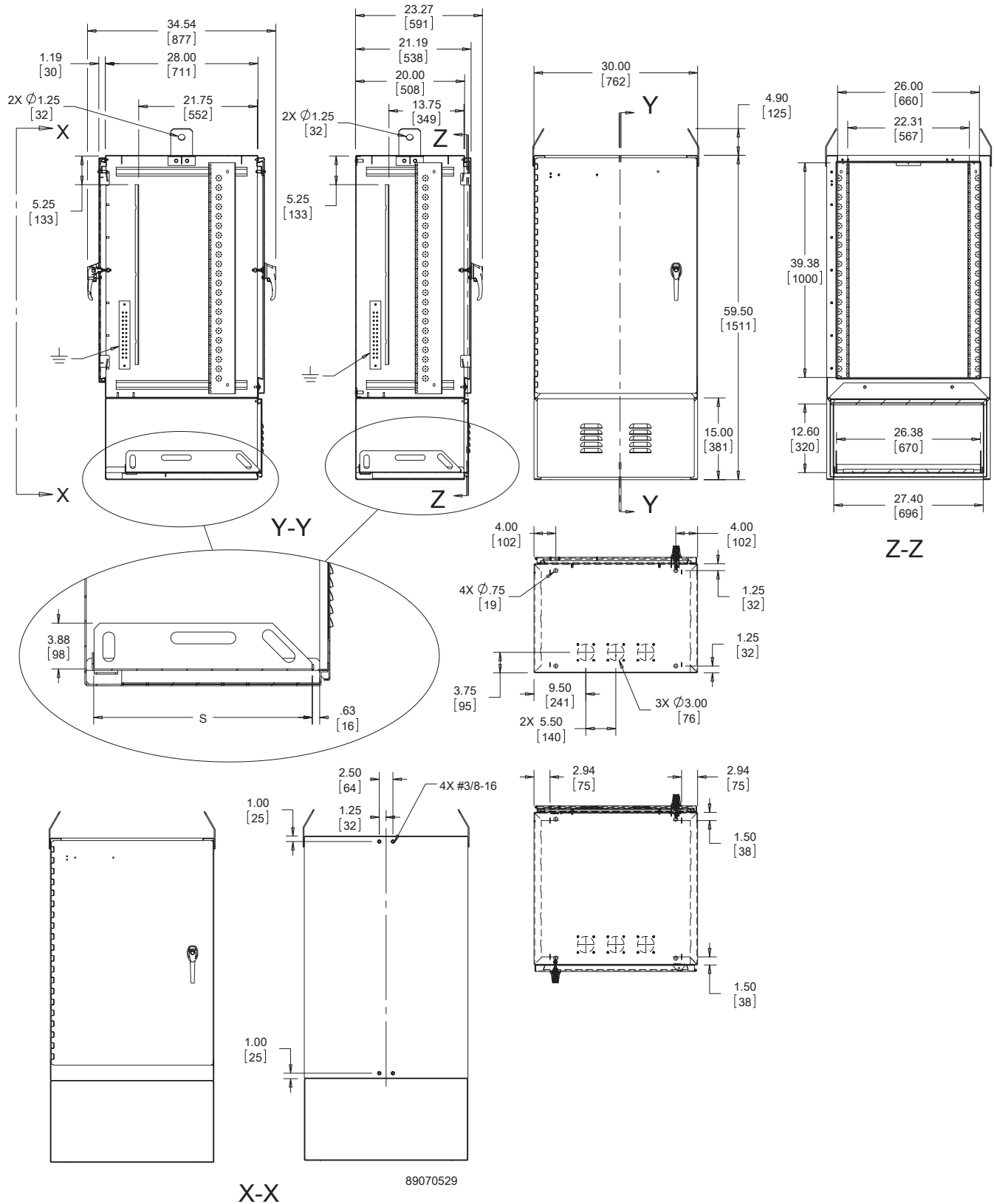
A=30
[762]



87924357

Fiber Optic Cabinets

FTTX Fiber Optic Cabinet With Battery Compartment



89070529

Fiber Optic Cabinets

Fiber Management Spool

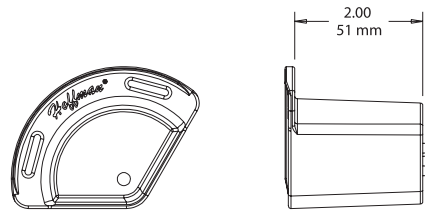


Fiber Management Spools mount inside the cabinet and help maintain proper bends when routing cable. Molded of black plastic. Includes thread-forming M5 mounting screws. Slots provided on flange for VELCRO® cable wrap.

VELCRO is a trademark of Velcro Industries B.V.

Bulletin: DTX

Catalog Number	Radius (in.)	Radius (mm)	Pkg. Qty.
TOPTKSPL	1.18	30	4



87951339

Splitter Chassis



The Splitter Chassis provides mounting means and support for various sizes of fiber optic splitter modules. Capacities range from three 1 x 16 modules to nine 1 x 32 modules. All models mount on a standard 19-in. rack.

Bulletin: DTX

Catalog Number	Connection Module Cutouts	Connection Module Capacity	Rack Units
T1USPLTR	3	1 x 16	1
T2USPLTR	3	1 x 32	2
T3USPLTR	9	1 x 16	3
T5USPLTR	9	1 x 32	5

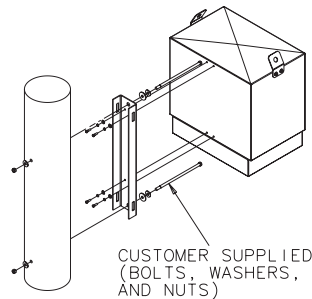
Fiber Optic Cabinet Pole-Mount Kit

The Pole-Mount Kit installs on the rear of the single-access cabinets using the hardware provided. No drilling or tapping of the cabinet

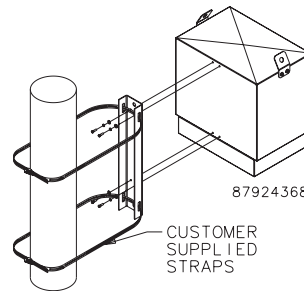
is required. Installation instructions are provided for mounting to various types of poles.

Bulletin: DTX

Catalog Number	Kit Includes	Use With
T11FTTXXPMK	Channel and hardware for attaching to cabinet	11U Cabinet
T23FTTXXPMK	Channel and hardware for attaching to cabinet	23U Cabinet



INSTALLATION ON WOOD POLE



INSTALLATION ON CONCRETE OR STEEL POLE

Fiber Optic Cabinets

Cage Nut Package



Twenty plated clip nuts fit all rack-mounting angles with .281-in. (7-mm) diameter holes (through-hole type).

Bulletin: DACCY, P20

Catalog Number	Color	Description	Pkg. Qty.
PM5CN	Silver	M5 cage nut	20
PM6CN	Silver	M6 cage nut	20
PM6CN250	Silver	M6 cage nut	250
P1032CN	Silver	10-32 cage nut	20
P1032CN250	Silver	10-32 cage nut	250
P1224CN	Silver	12-24 cage nut	20
P1224CN250	Silver	12-24 cage nut	250

Screw Package



Screws attach rack panels and rack-mounted equipment to rack-mounting angles.

Bulletin: A80, DACCY, X20

Catalog Number	Color	Description	Pkg. Qty.
ES1224	Silver	12-24 x 5/8 in. combo head	20
ES1224250	Silver	12-24 x 5/8 in. combo head	250
ES1224B	Black	12-24 x 5/8 in. combo head	20
ES1224B250	Black	12-24 x 5/8 in. combo head	250
ASM5	Silver	M5 x 20 mm Combo Head	20
ASM6	Silver	M6 x 16 mm combo head	20
ASM5T	Silver	M5 x 12 mm thread-forming Phillips hex head screws	20
ASM6250	Silver	M6 x 16 mm combo head	250
AS1032	Silver	10-32 x 5/8 in. combo head	20
AS1032250	Silver	10-32 x 5/8 in. combo head	250
AS1032B	Black	10-32 x 5/8 in. combo head	20

Use ASM5T on PROLINE® frame or Net Series extruded holes.

OSP Cabinets

OPAL Pad-Mount DSL Cabinet



5-Door Cabinet



Custom Cabinet Shown

Industry Standards

UL 508A Listed; Type 3, 3R, 4, 4X, 12; File No. E61997

CSA: Type 3, 3R, 4, 4X, 12
 NEMA/EEMAC Type 3, 3R, 4, 4X, 12
 EC60529, IP66
 Designed to meet Telcordia NEBS™ GR-487, GR-63 and IEC 48D
 EIA 310-D with 19-in. spacing for rack equipment
 Cabinet is RoHS compliant
 NEBS™ is a trademark of Telcordia

Application

Protect communications equipment from the elements in various environments with OPAL, an aluminum pad-mounted cabinet. OPAL is offered in three- and five-door models and is designed to meet Telcoria NEBS GR-487-CORE requirements.

For OSP questions, quotes and assistance, email: osp@hoffmanonline.com

Features

- Offered with three or five doors mounted for front, rear and side access to equipment
- Five-door model has two equal compartments and one side compartment
- Side compartment is ideal for cable entry, power distribution and load center
- Copper bonding bars included with cabinet
- Rack angles have EIA universal spaced square holes and are infinitely adjustable front-to-back in compartment
- Rack angles are predrilled for bend radius spools
- Each compartment is capable of either 19- or 23-in. rack angle positioning
- Top has integral solar shield with formed angles providing a peaked roof to deflect rain water to the sides of the cabinet
- L-handle is padlockable
- Bottom holes provided for bolting cabinet to concrete pad
- All doors have door switch, door (wind) stops and vault-style locking system
- Grounding and bonding studs provided on all doors and body
- Three cable entry boots provided in side compartment
- Four cable entry gland plates provided between side and central compartments

Specifications

- Manufactured from Type 5052-H32 0.125-in. thick aluminum
- Seams continuously welded and ground smooth
- Heavy duty continuous hinge with stainless steel hinge pin on all doors
- Rack angles made of 12 gauge plated steel
- All doors have with seamless gasket
- Door handles made of die-cast zinc with black polyester powder finish

Finish

RAL 7035 light-gray, textured, low-gloss polyester powder paint over pretreated surfaces. Custom finishes available; please contact your local Hoffman sales office.

Accessories

See also Accessories.

- Shelves
- PDU's
- Thermal Management
- Cable Management Spools
- Switches
- Lights
- Cage Nuts and Screws

Modification and Customization

- Thermal management analysis
 - Finish (Graffiti resistant, Local & Regional requirements, Telco green and beige)
 - The addition of Fans, Heat exchangers and Air conditioners
 - Cabinet insulation (Recommended for all Air conditioned applications)
 - Holes, cut-outs, finish and size changes
 - EMI/RFI shielding
 - Level 1- 4 integration
 - Additional Battery compartment
 - Additional testing (UL, GR-487-CORE, Seismic, Vibration, Load, etc)
- Contact your Hoffman Sales Office for details.

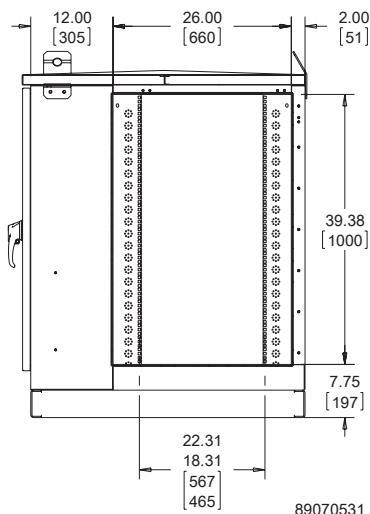
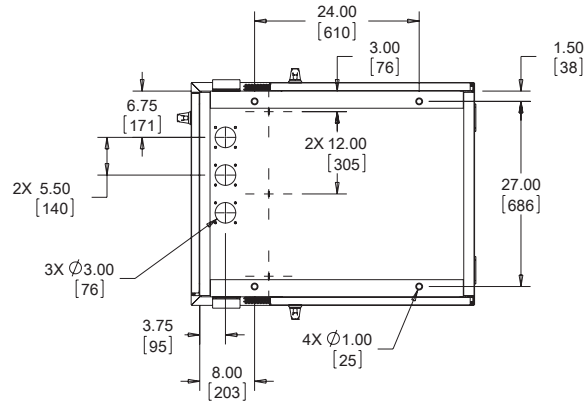
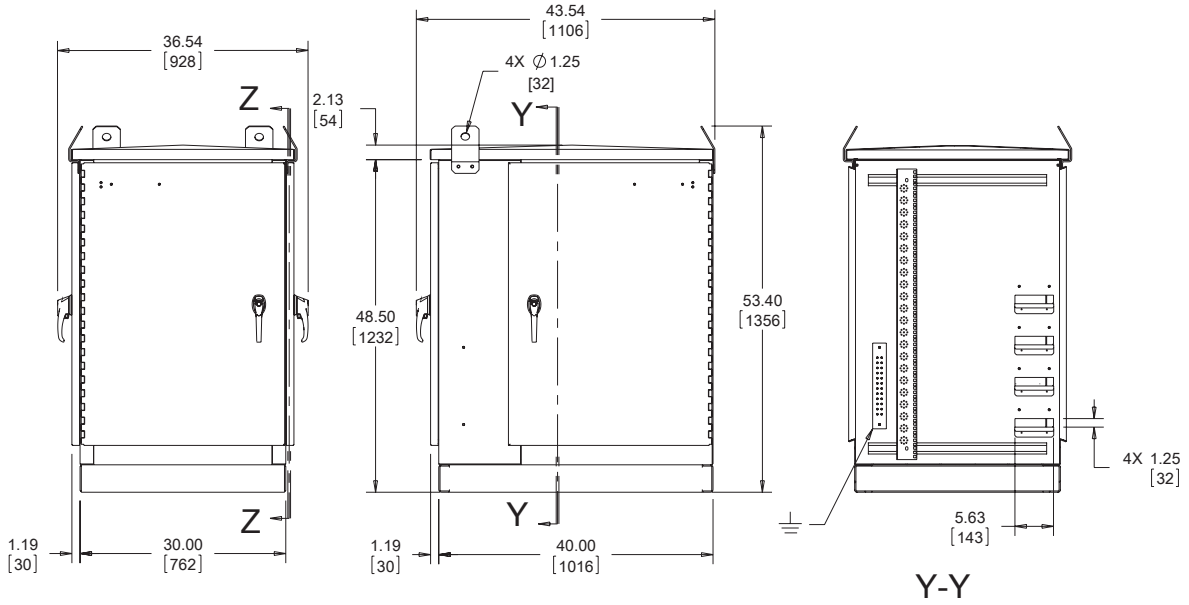
Bulletin: DPMC

Standard Product OPAL Outdoor Pad-Mounted Communications Cabinet

Catalog Number	AxBxC in./mm	Rack Units Per Bay
T504030PM3	48.50 x 43.54 x 30.00	22
	1232 x 1106 x 762	
T507030PM5	48.50 x 73.54 x 30.00	22
	1232 x 1868 x 762	

OSP Cabinets

OPAL 3-Door Enclosure

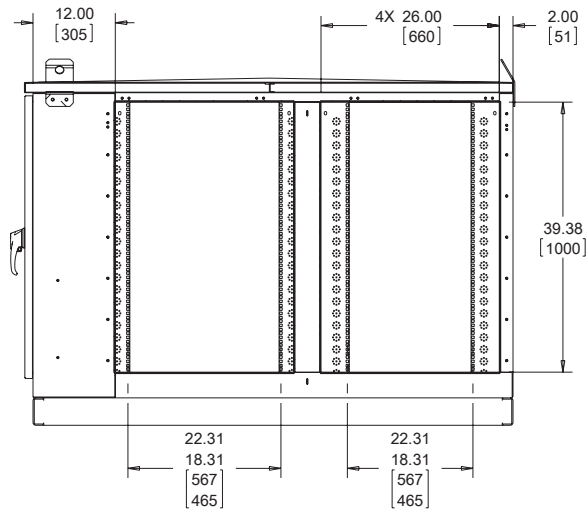
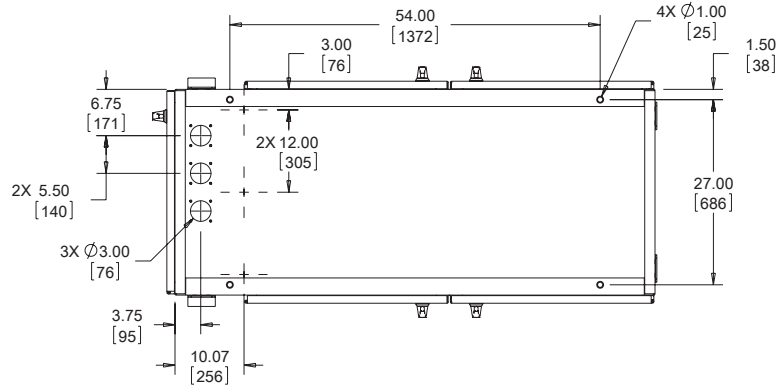
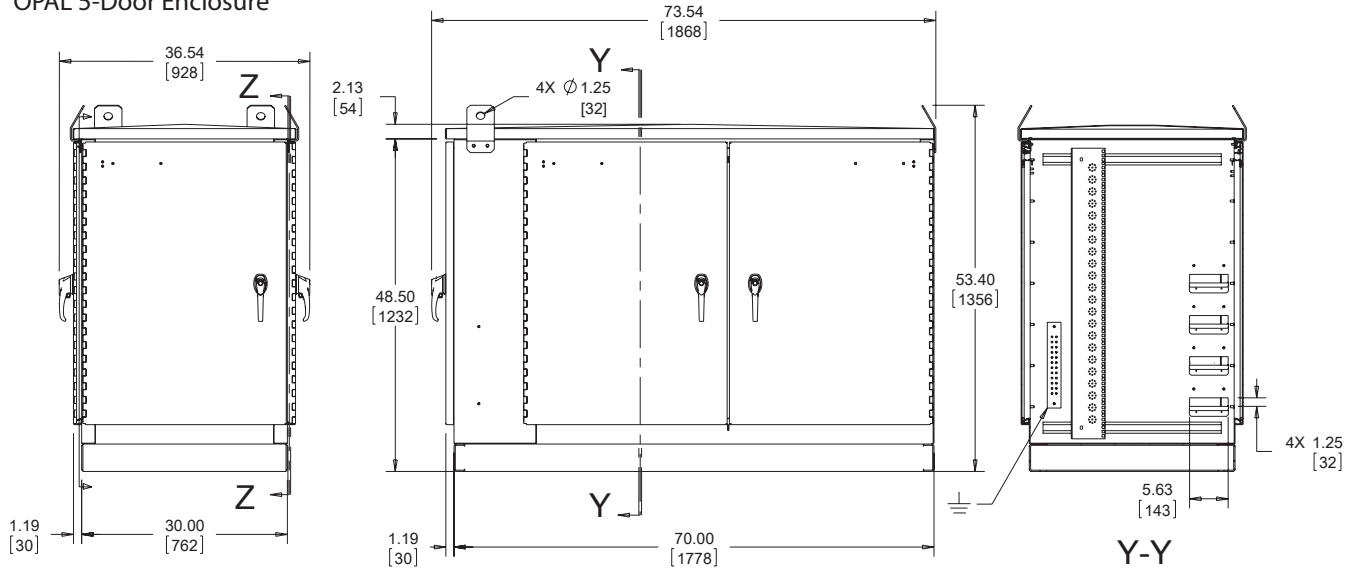


Z-Z

89070531

OSP Cabinets

OPAL 5-Door Enclosure



Z-Z

89070569

OSP Cabinets

COMLINE® Vertical Mount Cabinet


Shown with heat exchanger installed



Shown with heat exchanger and customer rack-mount devices installed

Industry Standards

UL 508A Listed; Type 3, 3R, 4, 4X, 12; File No. E61997
--

CSA: Type 3, 3R, 4, 4X, 12
 NEMA/EEMAC Type 3, 3R, 4, 4X, 12
 EC60529, IP66
 Designed to meet Telcordia NEBS™ GR-487, GR-63 and IEC 48D
 EIA 310-D with 19-in. spacing for rack equipment
 Cabinet is RoHS compliant
 NEBS™ is a trademark of Telcordia

Application

COMLINE® Vertical-Mount Cabinet is ideal for telecommunications industry applications. The unique vertical orientation of the 19-in. rack equipment makes this cabinet especially suitable for pole-mount applications. The narrow cabinet width also makes it very wind resistant. Vertical-Mount Cabinet is ideal for telecommunications industry applications. The unique vertical orientation of the 19-in. rack equipment makes this cabinet especially suitable for pole-mount applications. The narrow cabinet width also makes it very wind resistant.

For ordering information, e-mail: osp@hoffmanonline.com

Features

- Vertically oriented 19-in. equipment mounting creates a compact, wind-resistant cabinet
- Integral solar shield reduces solar heat load
- Right-side, solid gland plate can be removed and modified as needed

- 6 RU Rack has square hole spacing per EIA universal standards; order cage nuts separately
- Quarter-turn, multi-point, vault-style latching system increases protection and security
- 160-degree door opening with quick-release, retained hinge pins
- Body and door ground studs for bonding and grounding
- Foam-in-place seamless gasket for superior protection against dust and liquid ingress
- Back is prepared with mounting provisions for standard panels
- Mounts to poles or walls

Construction

- One set of vertical-mounted 19-in. rack angles made of self-conducting plated steel have square holes per EIA universal spacing
- Made using Type 5052-H23 aluminum (door: 2.0 mm; body: 0.8 mm)
- Seams continuously welded and ground smooth
- Solid gland plate made of .125-mm aluminum included with perimeter flange, seamless gasket, fasteners and mounting holes. Order pre-cut heat exchanger and air conditioner gland plates separately.

Finish

RAL 7035 light-textured, low-gloss polyester powder paint over pretreated surfaces. Custom finishes available; please contact your local Hoffman sales office.

Bulletin: DCOM, DCOMY

Standard Product COMLINE Vertical Mount Cabinet

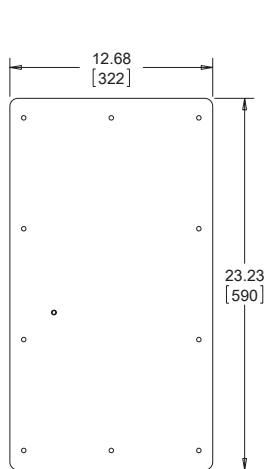
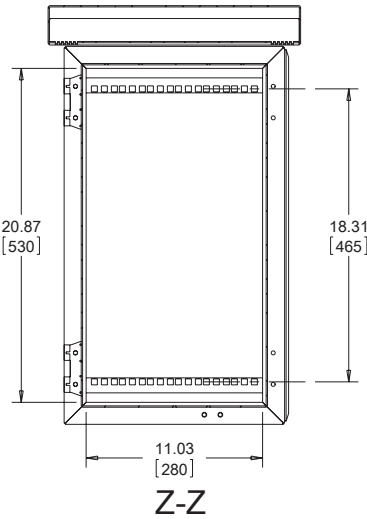
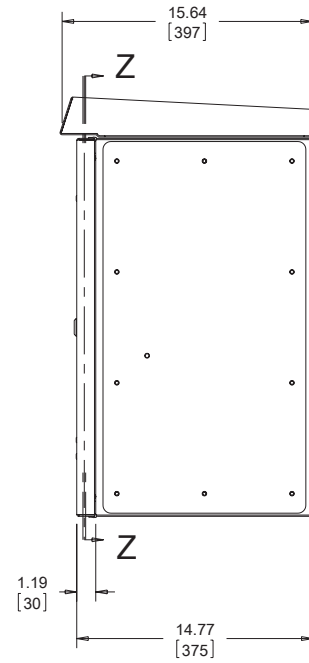
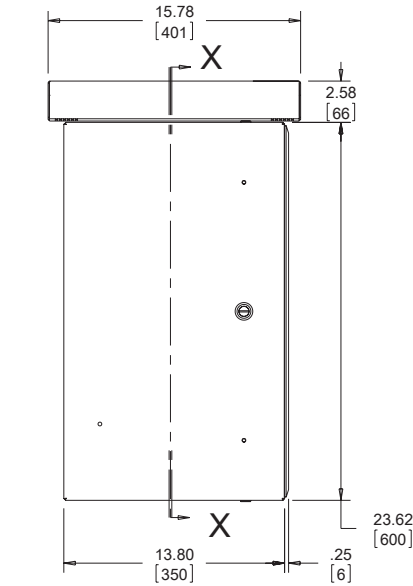
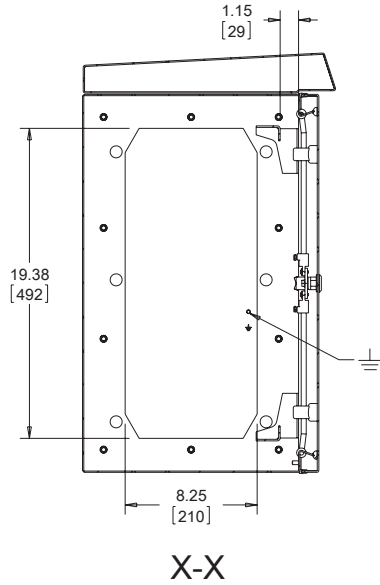
Catalog Number	AxBxC in./mm	Rack Units Vertical
ECL603537VP	23.62 x 13.78 x 14.76 600 x 350 x 375	5

Standard Product Gland plates for COMLINE Vertical Mount Cabinet

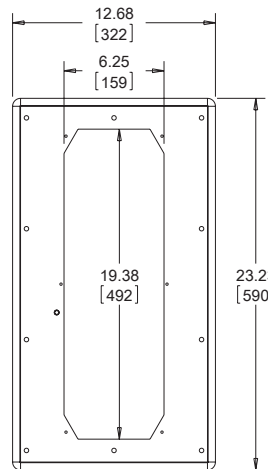
Catalog Number	AxBxC in./mm	Use with
EGVM	23.23 x 12.68 x 0.35 590 x 322 x 9	Solid
EGVM1	23.23 x 12.68 x 0.35 590 x 322 x 9	XR20 Heat Exchanger
EGVM2	23.23 x 12.68 x 0.35 590 x 322 x 9	T15 AC Unit
EGVM3	23.23 x 12.68 x 0.35 590 x 322 x 9	T20 AC Unit

*Order heat exchanger and air conditioner gland plates separately.

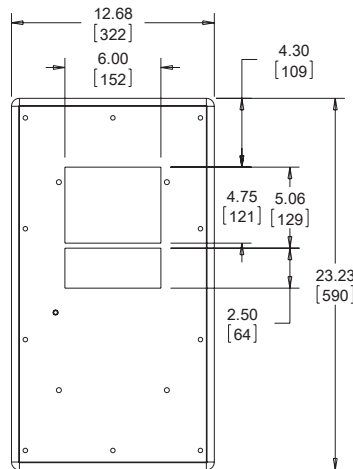
OSP Cabinets



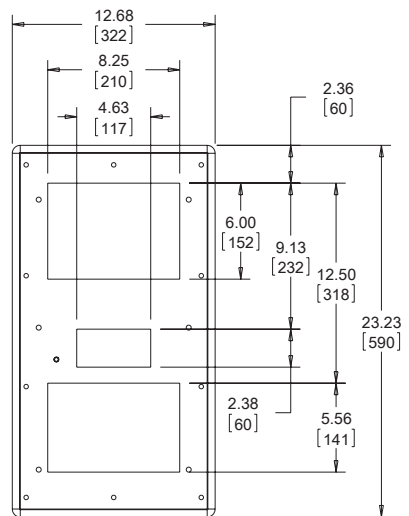
**EGVM
(Solid)**



**EGVM1
(XR20)**



**EGVM2
(T15)**



**EGVM3
(T20)**

89071192